

General Description

The Gotop GT-1613-MTBD is a complete GPS/BeiDou engine module that features super sensitivity, ultra low power and small form factor. The GPS/BeiDou signal is applied to the antenna input of module, and a complete serial data message with position, velocity and time information is presented at the serial interface with NMEA protocol or custom protocol.

Its -165dBm tracking sensitivity extends positioning coverage into place like urban canyons and dense foliage environment where the GPS/BeiDou was not possible before. The small form factor and low power consumption make the module easy to integrate into portable device like PNDs, mobile phones, cameras and vehicle navigation systems.

Applications

- LBS (Location Based Service)
- PND (Portable Navigation Device)
- Vehicle navigation system
- Mobile phone



Figure 1: GT-1613-MTBD Top View

Features

- Build on high performance, low-power MT3333chipset
- Ultra high sensitivity: -165dBm
- Extremely fastTTFFat low signal level
- Built in high gain LNA
- Low power consumption:Max20mA@3.3V
- NMEA-0183 compliant protocol or custom protocol
- Operating voltage: 2.8V to 4.3V
- Operating temperature range: $-40\text{to}85^{\circ}\text{C}$
- SMD type with stamp holes
- Small form factor:15.9x13.1x2.6mm
- RoHS compliant (Lead-free)

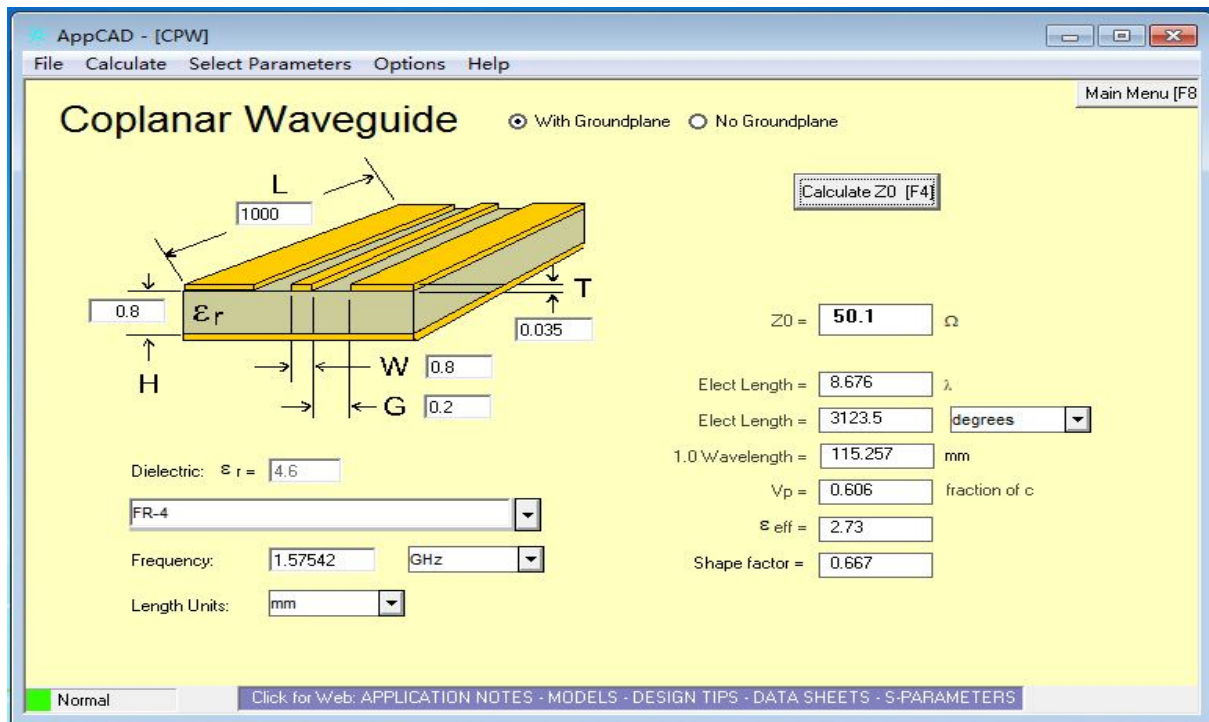
Performance Specification

Parameter	Specification	
Receiver Type	Gps/Glonass/Galileo/Beidou(afterICDreleased)receiver Supports multi-GNSS incl.QZSS,SBAS ranging Supports:WAAS/EGNOS/MSAS/GAGAN	
Sensitivity	Tracking	-165dBm
	Acquisition	-163dBm(hot) -148dBm(cold)
Accuracy	Position	5m CEP without SA
	Velocity	0.1m/s without SA
	Timing (PPS)	10ns RMS
Acquisition Time	Cold Start	38s
	Warm Start	35s
	Hot Start	1s
	Re-Acquisition	<1s
Power Consumption	Tracking	20mA @3.3V Vcc
	Acquisition	18mA
	Sleep/Standby	TBD
NavigationDataUpdate Rate	1Hz	
Operational Limits	Altitude	Max 18,000m
	Velocity	Max 515m/s
	Acceleration	Less than 4g

Interfaces Configuration

Power Supply: Regulated power for the GT-1613-MTBD is required. The input voltage Vcc should be 3.3V \pm 10%, maximum, current is no less than 20mA. Suitable decoupling must be provided by external decoupling circuitry.

Antenna: The GT-1613-MTBD GPS/BeiDou receiver is designed for supporting the active antenna or passive antenna connected with pin RF_IN. The gain of active antenna should be no less than 15dB. The maximum noise figure should be no more than 2.5dB and output impedance is at 50 Ohm.



UART Ports: The module supports two full duplex serial channels UART . All serial connections are at 3V CMOS logic levels, if need different voltage levels, use appropriate level shifters. The baud rate of both serial ports are fully programmable, the data format is however fixed: X, N, 8, 1, i.e. X baud rate, no parity, eight data bits and one stop bit, no other data formats are supported, LSB is sent first. The modules default baud rate is set up 9600bps, however, the user can change the default baud rate to any value from 4800 bps to 115kbps. UART is used e.g. for booting and NMEA interface.

Backup Battery Power: In case of a power failure on pin Vcc, real-time clock and backup RAM are supplied through pin VBAT. This enables the GT-1613-MTBD GPS /BeiDou Receiver to recover from power failure with either a hot start or a warm start (depending on the duration of Vcc outage). If no Backup Battery is connected, the receiver performs a cold start upon powered up.

Pin Description

Pin No	Pin name	I/O	Description	Remark
1	RF_IN	I	GPS&BeiDou Signal Input	
2	GND	G	Ground	
3	GND	G	Ground	
4	GND	G	Ground	
5	VBAT	I	RTC Battery Input	
6	GND	G	Ground	
7	NC		No connection	Leave Open if not used
8	GND	G	Ground	
9	GND	G	Ground	
10	GND	G	Ground	
11	Vcc	I	Module Power Supply	
12	GND	G	Ground	
13	RST	I	Module Reset (Active Low)	Leave Open if not used
14	GND	G	Ground	
15	GND	G	Ground	
16	NC		No connection	
17	GND	G	Ground	
18	NC		No connection	

19	GND	G	Ground	
20	PPS	O	Time Pulse(1PPS)	Leave Open if not used
21	GND	G	Ground	
22	GND	G	Ground	
23	GND	G	Ground	
24	GND	G	Ground	
25	NC		No connection	
26	GND	G	Ground	
27	NC		No connection	
28	GND	G	Ground	
29	GND	G	Ground	
30	TXA	O	UART Serial Data Output, Pull up (75KΩ) if not used	
31	RXA	I	UART Serial Data Input, Pull up (75KΩ) if not used	
32	RXB		UART Serial Data Input 1	Pull up if not used
33	GND	G	Ground	
34	TXB		UART Serial Data Output 1	Leave Open if not used
35	GND	G	Ground	
36	GND	G	Ground	

Pin Assignment

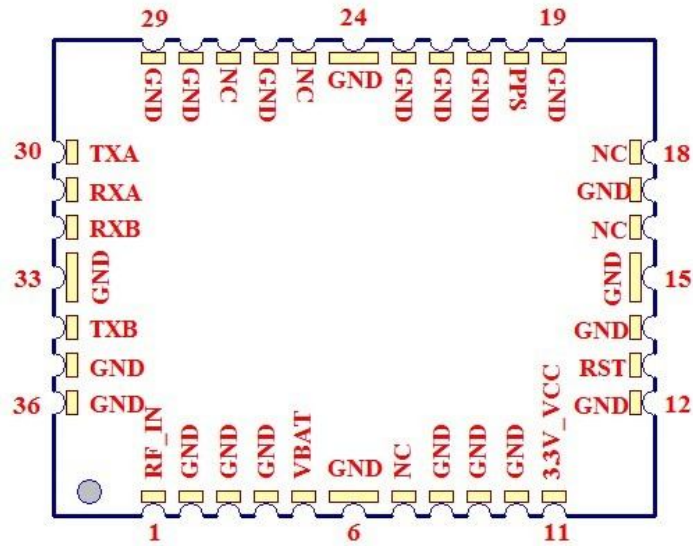


Figure 2: GT-1613-MTBD Pin Package

Mechanical Specification

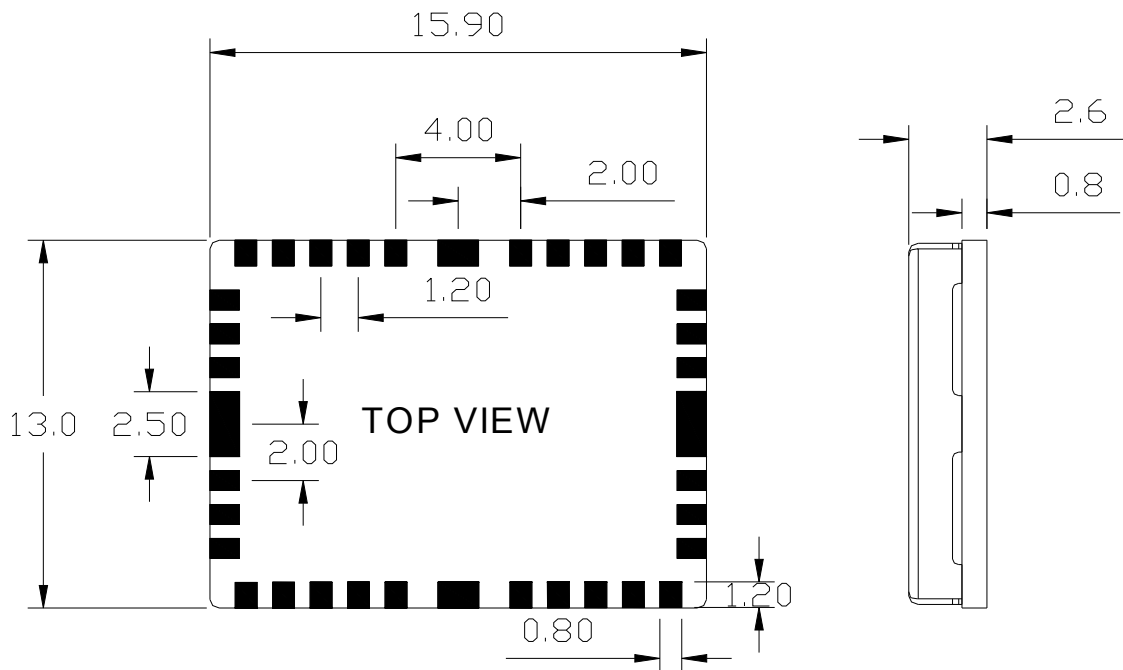


Figure 3: GT-1613-MTBD Dimensions

Electrical Characteristics

Absolute Maximum Rating

Parameter	Symbol	Min	Max	Units
Power Supply				
Power Supply Volt.	Vcc	2.8	4.3	V
Input Pins				
Input Pin Voltage I/O	RXD/TXD	-0.3	3.6	V
Backup Battery	VBAT	2.0	3.6	V
Environment				
Storage Temperature	Tstg	-40	125	°C
PeakReflow Soldering Temperature	Tpeak		260	°C
Humidity			95	%

Note: Absolute maximum ratings are stress ratings only, and functional operation at the maxims is not guaranteed. Stress beyond the limits specified in this table may affect device reliability or cause permanent damage to the device. For functional operating conditions, refer to the operating conditions tables as follow.

Operating Conditions

Parameter	Symbol	Condition	Min	Typ	Max	Units
Power supply voltage	Vcc		2.8	3.3	4.3	V
Powersupplyvoltagegeripple	Vcc_PP	Vcc=3.0V			30	mV
Consumption current	Icc	Vcc=3.0V		20	18	mA

Input high voltage	V_{IH}		$0.7 \times V_{CC}$		$V_{CC} + 1.0$	V
Input low voltage	V_{IL}		-0.3		$0.3 \times V_{CC}$	V
Output high voltage	V_{OH}		$0.8 \times V_{CC}$		V_{CC}	V
Output low voltage	V_{OL}		0		$0.2 \times V_{CC}$	V
Operating temperature	T_{opr}		-40		85	°C

Software Protocol

NMEA 0183 Protocol

The NMEA protocol is an ASCII-based protocol, Records start with a \$ and with carriage return/line feed. GPS&BeiDou specific messages all start with \$GPxxx/GNxxx where xxx is a three-letter identifier of the message data that follows. NMEA messages have a checksum, which allows detection of corrupted data transfers.

The Gotop GT-1613-MTBD supports the following NMEA-0183 messages: GPGSA.

GPRMC.GNGSA.GNRMC.GLGSV

Table 1: NMEA-0183 Output Messages

NMEA Record	DESCRIPTION
GPGSA	GPS DOP and active satellites
GPRMC	Recommended minimum specific GPS data
GNGSA	BeiDou DOP and active satellites
GNRMC	Recommended minimum specific BeiDou data
GLGSV	GPS/BeiDou satellites in view

GPGSA-GPS DOP and Active Satellites

Table 4 contains the values of the following example:

\$GPGSA , A, 3, 07, 02, 26,27, 09, 04,15, , , , , , 1.8,1.0,1.5*33.

Table 4: GSA Data Format

Name	Example	Units	Description
Message	\$GPGSA		GSA protocol header
Mode 1	A		See Table 4-2
Mode 2	3		See Table 4-1
Satellite Used	07		Sv on Channel 1
Satellite Used	02		Sv on Channel 2
...
Satellite Used			Sv on Channel 12
PDOP	1.8		Position Dilution of Precision
HDOP	1.0		Horizontal Dilution of Precision
VDOP	1.5		Vertical Dilution of Precision
Checksum	*33		
<CR> <LF>			End of message termination

Table 4-1: Mode 1

Value	Description
1	Fix not available
2	2D
3	3D

Table 4-2: Mode 2

Value	Description
M	Manual-forced to operate in 2D or 3D mode
A	Automatic-allowed to automatically switch 2D/3D

GPRMC-Recommended Minimum Specific GPS Data

Table 6 contains the values of the following example:

\$GPRMC, 161229.487, A, 3723.2475, N, 12158.3416, W, 0.13,309.62, 120598,, *10

Table 6: RMC Data Format

Name	Example	Units	Description
Message ID	\$GPRMC		RMC protocol header
UTS Position	161229.487		hhmmss.sss
Status	A		A=data valid or V=data not valid
Latitude	3723.2475		ddmm.mmmm
N/S Indicator	N		N=north or S=south
Longitude	12158.3416		dddmm.mmmm
E/W Indicator	W		E=east or W=west
Speed Over Ground	0.13	Knots	
Course Over	309.62	Degrees	True
Ground			
Date	120598		Dummy
Magnetic variation		Degrees	E=east or W=west
Checksum	*10		
<CR> <LF>			End of message termination

GNSSA-BeiDou DOP and Active Satellites

Table 4 contains the values of the following example:

\$GNSSA , A, 3, 07, 02, 26,27, 09, 04,15, , , , , , 1.8,1.0,1.5*33.

Table 4: GSA Data Format

Name	Example	Units	Description
Message	\$GNSSA		GSA protocol header

Mode 1	A		See Table 4-2
Mode 2	3		See Table 4-1
Satellite Used	07		Sv on Channel 1
Satellite Used	02		Sv on Channel 2
...
Satellite Used			Sv on Channel 12
PDOP	1.8		Position Dilution of Precision
HDOP	1.0		Horizontal Dilution of Precision
VDOP	1.5		Vertical Dilution of Precision
Checksum	*33		
<CR> <LF>			End of message termination

Table 4-1: Mode 1

Value	Description
1	Fix not available
2	2D
3	3D

Table 4-2: Mode 2

Value	Description
M	Manual-forced to operate in 2D or 3D mode
A	Automatic-allowed to automatically switch 2D/3D

GPRMC-Recommended Minimum Specific BeiDou Data

Table 6 contains the values of the following example:

\$GNRMC, 161229.487, A, 3723.2475, N, 12158.3416, W, 0.13,309.62, 120598,, *10

Table 6: RMC Data Format

Name	Example	Units	Description
Message ID	\$GNRMC		RMC protocol header
UTS Position	161229.487		hhmmss.sss
Status	A		A=data valid or V=data not valid
Latitude	3723.2475		ddmm.mmmm
N/S Indicator	N		N=north or S=south
Longitude	12158.3416		dddmm.mmmm
E/W Indicator	W		E=east or W=west
Speed Over Ground	0.13	Knots	
Course Over	309.62	Degrees	True
Ground			
Date	120598		Dummy
Magnetic variation		Degrees	E=east or W=west
Checksum	*10		
<CR> <LF>			End of message termination

GLGSV-GPS/GNSS Satellites in View

Table 5 contains the values of the following example:

\$GLGSV , 2, 1, 07, 07, 79,048, 42, 02, 51,062, 43, 26, 36,256, 42, 27, 27, 138,42*71

\$GLGSV, 2, 2, 07, 09, 23,313, 42, 04, 19, 159, 41, 15,12,041, 42*41.

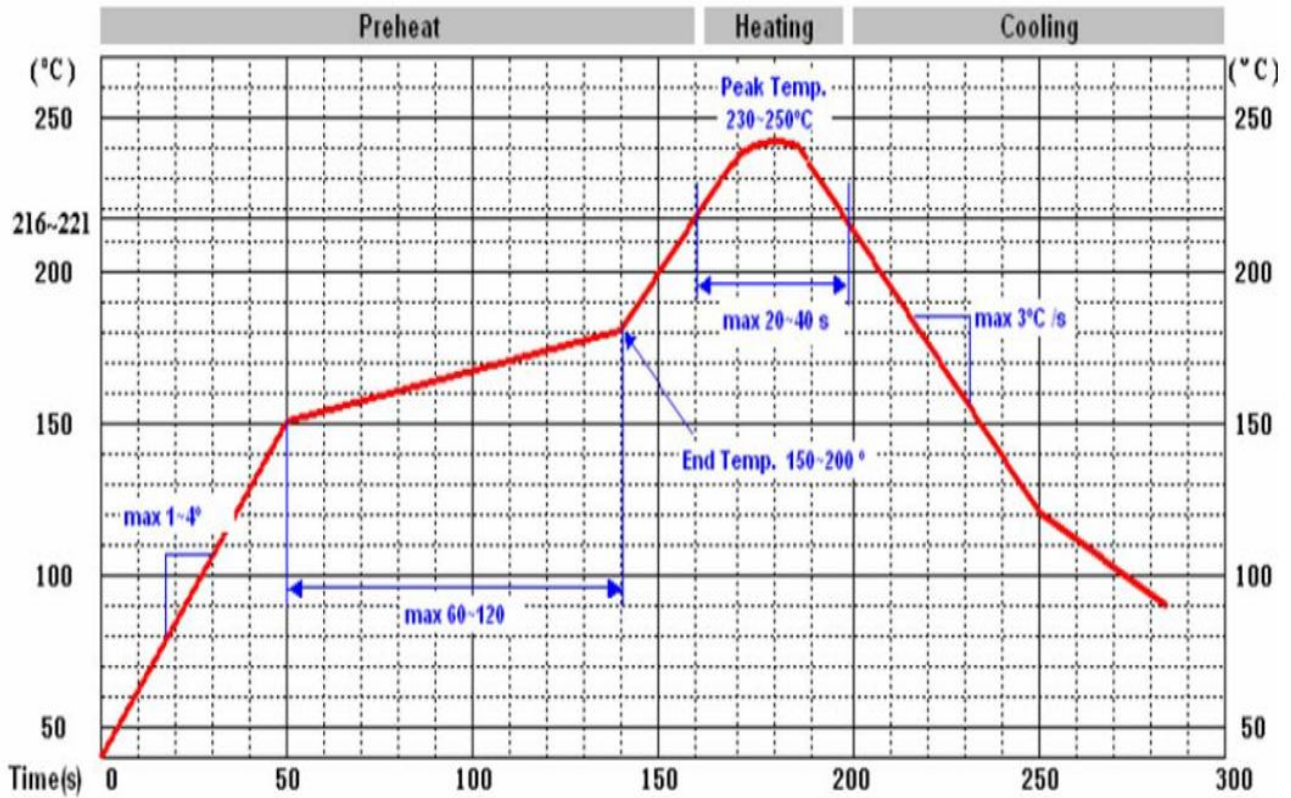
Table 5: GLGGA Data Format

Name	Example	Units	Description
Message ID	\$GLGSV		GSV protocol header
Number ofMessage	2		Range 1 to 3

Message Number	1		Range 1 to 3
Satellites in View	07		
Satellite ID	07		Channel 1(Range 1 to 214)
Elevation	79	degrees	Channel 1(Maximum 90)
Azinmuth	048	degrees	Channel 1(True, Range 0 to 359)
SNR(C/NO)	42	dBHz	Range 0 to 99,null when not tracking
...			...
Satellite ID	27		Channel 4(Range 1 to 214)
Elevation	27	degrees	Channel 4(Maximum 90)
Azimuth	138	degrees	Channel 4(True, Range 0 to 359)
SNR(C/NO)	42	dBHz	Range 0 to 99, null when not tracking
Checksum	*71		
<CR> <LF>			End of message termination

Depending on the number of satellites tracked multiple messages of GLGSV data may be required.The range of GPS SVID is 1~32, BeiDou SVID is 201~214。

Manufacturing Process Recommendations



Note: The final soldering temperature chosen at the factory depends on additional external factors like choice of soldering paste, size, thickness and properties of the baseboard, etc. Exceeding the maximum soldering temperature in the recommended soldering profile may permanently damage the module.

©Copyright 2013 Gotop Technology Co., Ltd. All Right Reserved

The information contained herein is subject to change without notice.

Gotop Technology Co. , LTD

Add:Room 603 Zhantao Technology Building,Minzhi Road,Xinniu Communnity,Minzhi Street,Baoan District,ShenZhen City China.

Not to be reproduced in whole or part for any purpose without written permission of Gotop Technology Inc ('Gotop'). Information provided by Gotop is believed to be accurate and reliable. These materials are provided by Gotop as a service to its customers and may be used for informational purposes only. Gotop assumes no responsibility for errors or omissions in these materials, nor for its use. Gotop reserves the right to change specification at any time without notice.

These materials are provides 'as is' without warranty of any kind, either expressed or implied, relating to sale and/or use of Gotop products including liability or warranties relating to fitness for a particular purpose, consequential or incidental damages, merchantability, or infringement of any patent, copyright or other intellectual property right. Gotop further does not warrant the accuracy or completeness of the information, text, graphics or other items contained within these materials. Gotop shall not be liable for any special, indirect, incidental, or consequential damages, including without limitation, lost revenues or lost profits, which may result from the use of these materials.

Gotop products are not intended for use in medical, life-support devices, or applications involving potential risk of death, personal injury, or severe property damage in case of failure of the product.